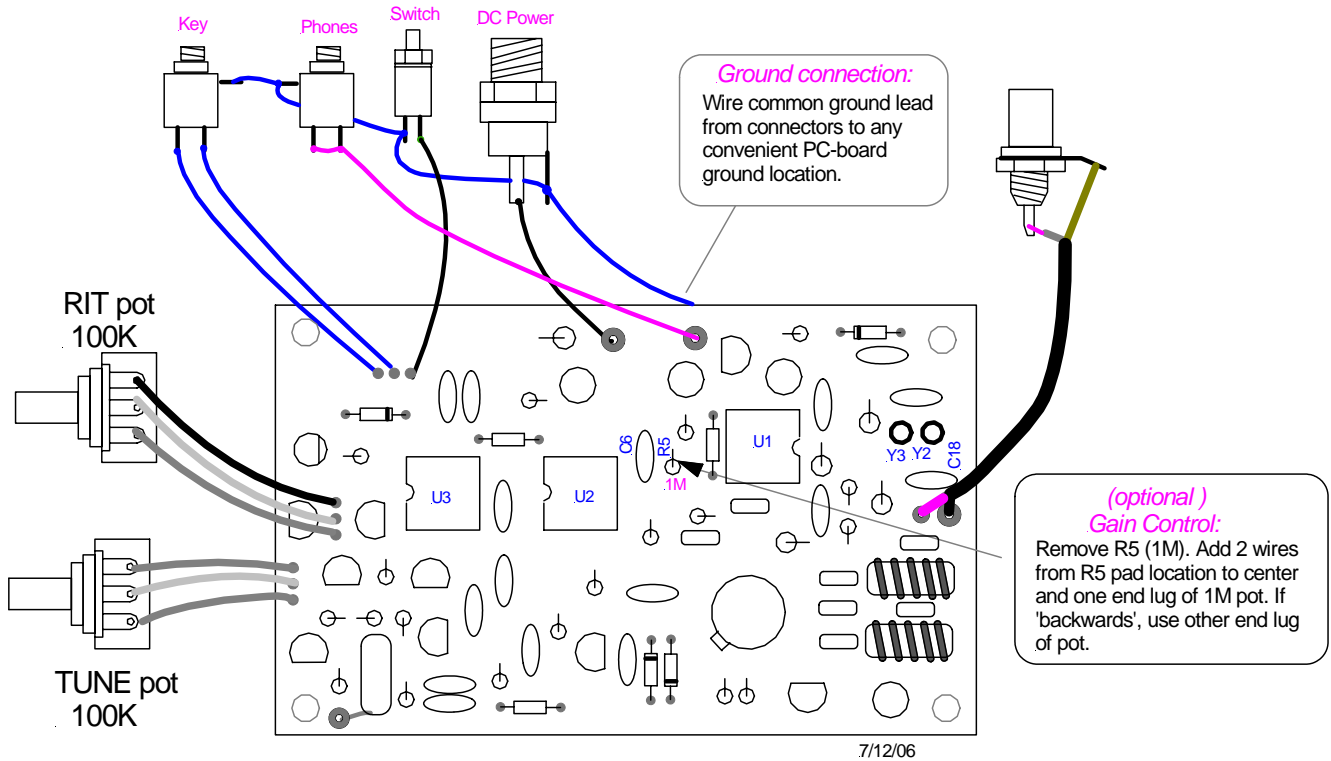


HiMite

Connectors/controls set

| Quantity | Description | Part number (SWL ref. only) |
|----------|--|-----------------------------|
| 1 | BNC | 161-9323 |
| 1 | Power jack | 163-4304 |
| 1 | Power plug | 1710-2131 |
| 1 | 18" (0.6m) power wire | 100280 |
| 1 | 1 Meg. potentiometer | 31JN601 |
| 3 | small knob | 450-2035 |
| 2 | 3.5 (1/8") mm connector | 161-3402 |
| 2 | 10-conductor ribbon wire <i>-colors may vary-</i> | R007 |
| 1 | Submin. pushbutton switch | 10PA019 |



See the RockMite supplement, available online at <http://smallwonderlabs.com/RMhelps.pdf> for additional general information. Contact me if you need replacement parts:

Dave Benson, K1SWL dave@smallwonderlabs.com

21 Wright Road, Wethersfield, CT 06109